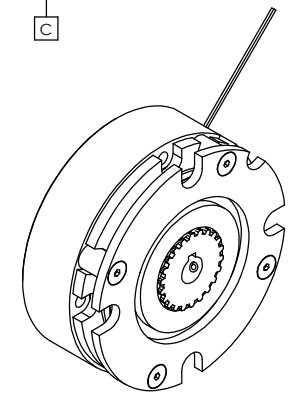
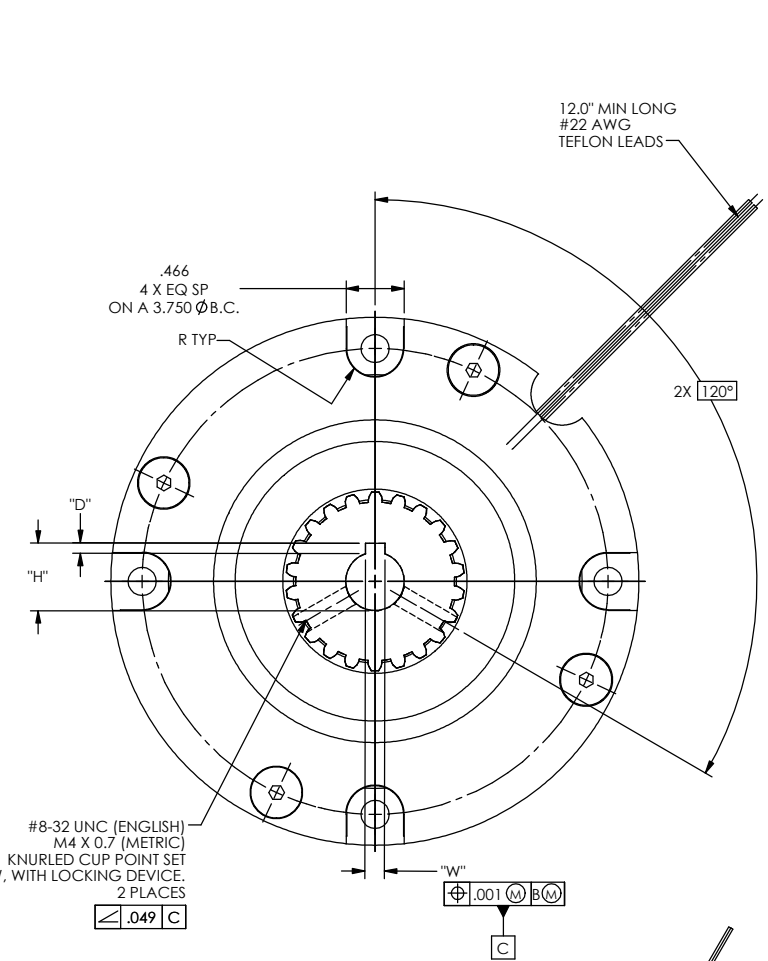
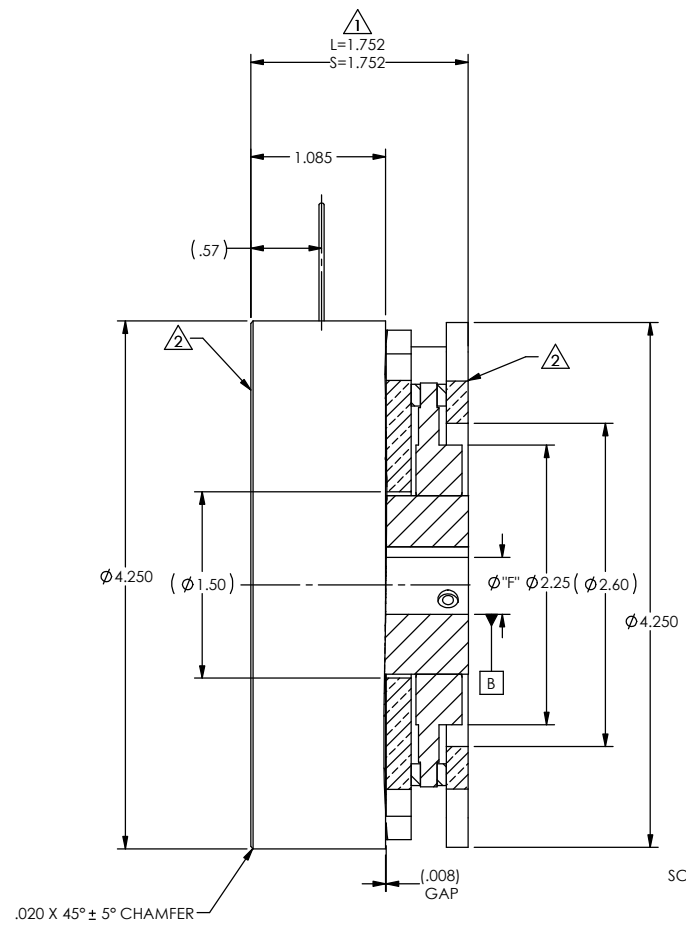
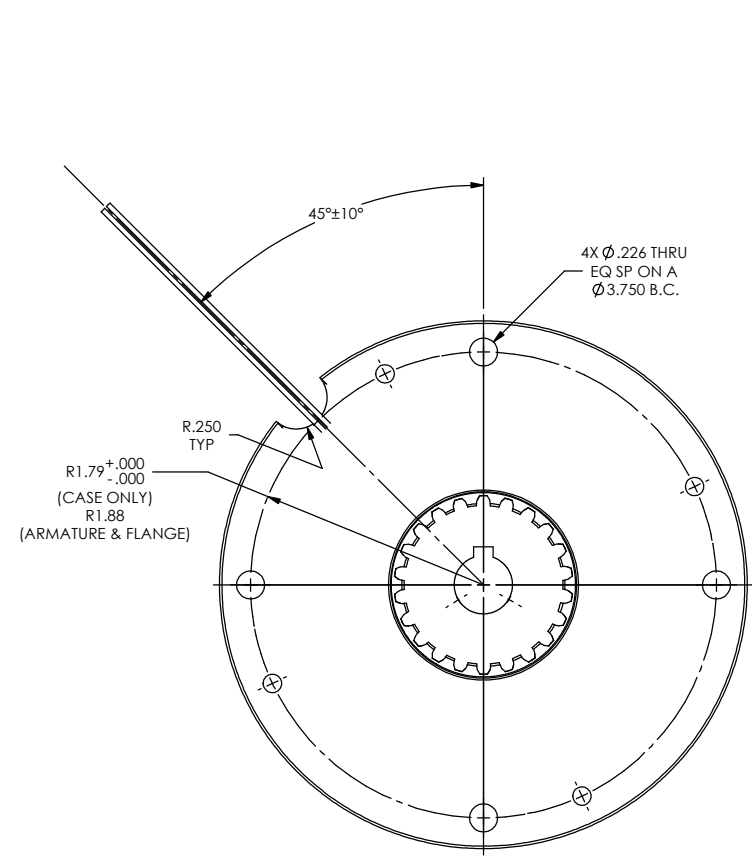


| MODEL NUMBER | ØF | H | W | VOLTAGE | MODEL NUMBER | ØF | D | W | VOLTAGE |
|--------------|-------|------|-------|---------|--------------|------|-------|-----|---------|
| SB-40-24-E06 | .3750 | .425 | .0938 | 24 VDC | SB-40-24-M12 | 12mm | 1.8mm | 4mm | 24 VDC |
| SB-40-24-E08 | .5000 | .564 | .1250 | | SB-40-24-M16 | 16mm | 2.3mm | 5mm | |
| SB-40-24-E10 | .6250 | .709 | .1880 | | SB-40-24-M18 | 18mm | 2.8mm | 6mm | |
| SB-40-24-E12 | .7500 | .837 | .1880 | | | | | | |
| SB-40-90-E06 | .3750 | .425 | .0938 | 90 VDC | SB-40-90-M12 | 12mm | 1.8mm | 4mm | 90 VDC |
| SB-40-90-E08 | .5000 | .564 | .1250 | | SB-40-90-M16 | 16mm | 2.3mm | 5mm | |
| SB-40-90-E10 | .6250 | .709 | .1880 | | SB-40-90-M18 | 18mm | 2.8mm | 6mm | |
| SB-40-90-E12 | .7500 | .837 | .1880 | | | | | | |

| REVISIONS | | | | |
|-----------|-----|---------------------------------------|-----------|---------|
| REV | ECO | DESCRIPTION | DATE | CHECKED |
| | | NEW DRAWING | | |
| A | | 1. REDRAWN TO S/W 2. ADDED ROHS BLOCK | 1/12/2015 | CAG |

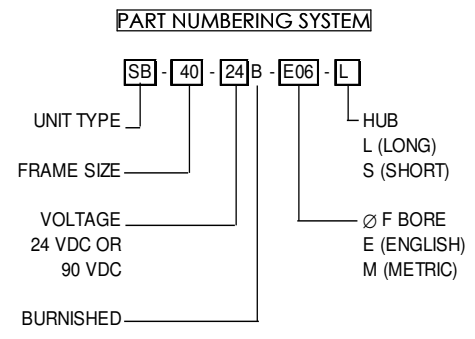
CUSTOM BORES AVAILABLE. CONTACT FACTORY FOR ASSISTANCE



- NOTES:
- 1 HUB LOCATION SET BY CUSTOMER
 - 2 CAN BE MOUNTED ON EITHER FACE
 - 3 100°C MOTOR AMBIENT TEMP. @ BRAKE LOCATION BRAKE COIL TEMP RISE(40°C) WHEN CONTINUOUSLY ENERGIZED @ RATED VOLTAGE. i.e., 140°C BRAKE WILL RELIABLY RELEASE @ 90% OF RATED VOLTAGE
 - 4. BACKLASH REQUIRED: 1.5° MAX.

ASSEMBLY AND ALL COMPONENTS MUST MEET EU DIRECTIVE 2002/95/EC (RoHS)

| TECHNICAL DATA @ 20°C | | |
|---|---|---|
| STATIC TORQUE (LB-IN) MIN | 200 | |
| COIL DATA: | VOLTAGE (V _{DC}) | 24 90 |
| | RESISTANCE (OHMS) | 20.4 ^{±10%} 290.6 ^{±10%} |
| | POWER (WATTS) MAX | (31.4 @ 24 V _{DC}) (31.0 @ 90 V _{DC}) |
| PULL-IN VOLTAGE (V _{DC}) MAX | 16.0 | 60.0 |
| | | 21.6 VDC @ MIN AMP TURNS ³ 81.0 VDC @ MIN AMP TURNS ³ |
| PULL-IN TIME ms NOM | 85 | |
| DROP-OUT TIME ms NOM | 45 | |
| DIELECTRIC STRENGTH | 500 VAC - 60 HZ - 1 MIN | |
| INSULATION RESISTANCE | 500 MEGOHMS MIN @ 500 VDC | |
| BRAKE ROTOR / HUB INERTIA (LB-IN-S ²) | .8337 x 10 ⁻⁹ LB IN SEC ² | |
| BRAKE WEIGHT (LB) | (4.9) | |



| | | | | | |
|--|--|--|--|-------------------------|-------------------|
| <p>THIRD ANGLE PROJECTION</p> | <p>UNLESS OTHERWISE SPECIFIED: DIMENSIONS ARE IN INCHES. DIAMETERS CONCENTRIC .003 TIR. FACES PERPENDICULAR -.003 INTERPRETATION PER ASME Y14.5M-1994.</p> <p>FRACTIONS ±1/64 DECIMALS .00 ±.01 ANGLES ±30' MACHINE SURFACES .000 ±.005</p> | PARTS LIST | | | |
| | | <p>REMOVE ALL BURRS AND BREAK SHARP EDGES -.003/Ø10 ALL INSIDE CORNERS TO BE .015 R MAX UNLESS OTHERWISE SPECIFIED.</p> <p>APPROVALS</p> <p>DATE</p> | <p>THOMSON DELTRAN</p> | | |
| <p>THE INFORMATION CONTAINED IN THIS DRAWING IS THE SOLE PROPERTY OF THOMSON DELTRAN. ANY REPRODUCTION IN PART OR WHOLE WITHOUT THE WRITTEN PERMISSION OF THOMSON DELTRAN IS PROHIBITED.</p> | HEAT TREAT | <p>DRAWN: CLW 03/12/97</p> <p>CHECKED: A.J.COMITO 03/12/97</p> <p>DES ENG: P.J.L. 03/12/97</p> <p>MFG ENG: -</p> <p>QUAL ENG: -</p> | <p>SERVO BRAKE ENGLISH-METRIC</p> | | |
| | FINISH | | SIZE: C | DWG. NO.: SB-40 CATALOG | |
| | | | SCALE: 1:1 | SHEET 1 OF 1 | CODE IDENT: 58655 |